

# CLAMPING ELEMENTS | MANUAL

## SERIES HK

### ▶ PRODUCT ADVANTAGES



- ▶ **broad range of products**  
For all common profile rail guides
- ▶ **Tool-free opening and closing (bi-stable)**  
By turning the clamping lever
- ▶ **Maintenance free**  
Up to 50,000 static clamping cycles

### ▶ THE BEST PRODUCT FOR YOUR APPLICATION

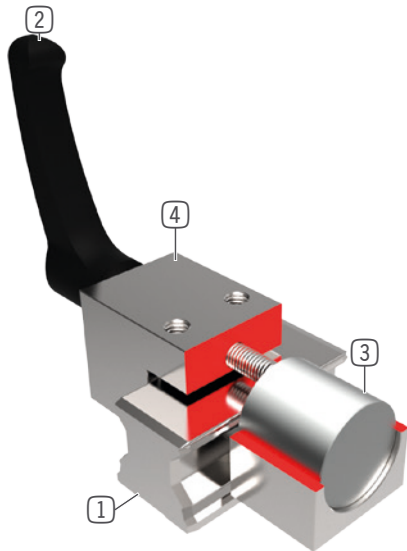
#### POSIBILIDADES DE USO

- ▶ **Tableaux de montage**
- ▶ **Adjustable width stops**
- ▶ **Positioning of the clamping elements**

#### FURTHER INFORMATION

- ▶ **Spacer plate**  
In addition, a spacer plate might have to be ordered as height compensation, depending on the height of the rail carriage (dimension D).
- ▶ **Special variants on request, e.g.**  
Operation using DIN 912 Allen screws  
Extended clamping lever  
made of stainless steel

## ► BENEFITS IN DETAIL



- ① **Profile rail guide**
  - Available for all common profile rail guides
- ② **Clamping lever made from plastic**
  - Freely adjustable (release by lifting)
- ③ **Clamping jaw**
  - The floating bearings guarantee symmetrical application of force
- ④ **Housing**
  - chemically nickel plated steel

## ► INFORMATION ON THE SERIES

### TECHNICAL DATA

Rail size	12-100 mm
Holding force	1200-2000 N
Fastening torque clamp lever	4-22 Nm
Spring storage	inexistent
PLUS connection	No
Static clamping cycles (B10d value)	up to 50 000
Dynamic braking cycles	not suitable
Operation	manual
Operating temperature	-10 ... +70 [°C]



### ► Technical Information

All information just a click away at: [www.zimmer-group.de](http://www.zimmer-group.de)

Find data, illustrations, 3D models and operating instructions for your installation size using the order number for your desired model.

Quick, clear and always up-to-date.

### ► Selection guide for clamping and braking elements

Whatever the possible application – here, you'll find the right product.

Easy selection of the right element for any rail-carriage combination: [www.zimmer-group.de/de/plr](http://www.zimmer-group.de/de/plr).