

## HIRES LINEAR GUIDEWAYS

Corrosion-resistant steel also for our HG series

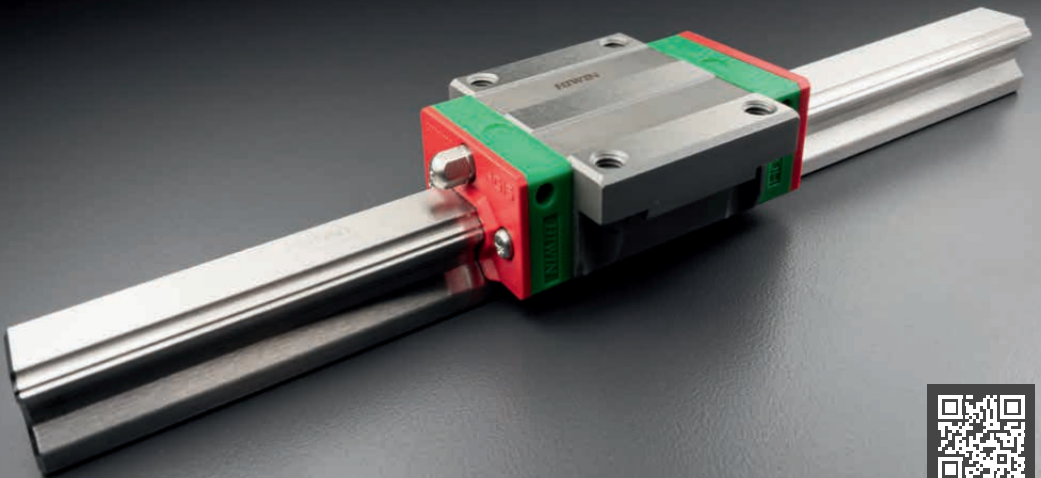
### Properties:

- All steel parts are made of corrosion-resistant steel in accordance with DIN EN 10088 (block, profile rail, rolling elements and lubrication connections/bolts)
- Improved corrosion protection compared to standard rolling bearing steel
- Technical properties as for the standard version
- One-piece and multi-piece rails available
- Optionally with stainless steel deflection
- Various sealing systems available

### Available for:

- HG 15, 20 and 25 series
- MG series

NEW



## HGH-M

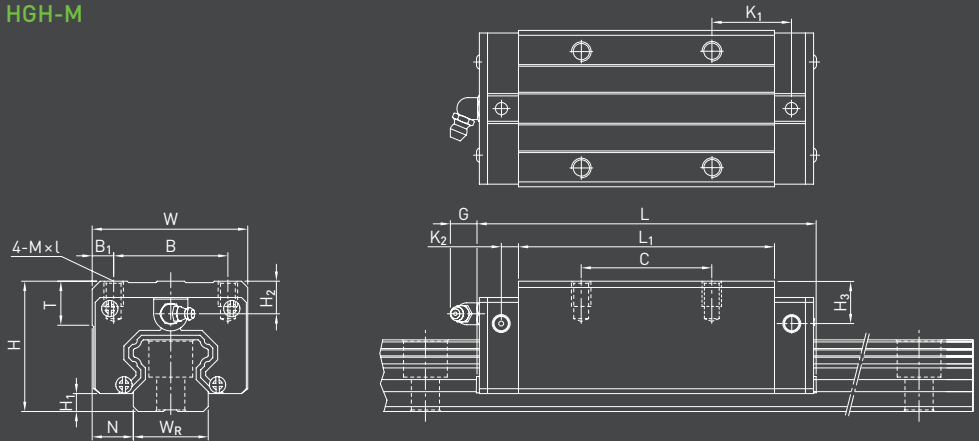


Table 1.1 Dimensions of the block

Series / Size	Installation dimensions [mm]			Dimensions of the block [mm]															Load ratings [N]		Weight [kg]
	H	H <sub>1</sub>	N	W	B	B <sub>1</sub>	C	L <sub>1</sub>	L	K <sub>1</sub>	K <sub>2</sub>	G	M × l	T	H <sub>2</sub>	H <sub>3</sub>	C <sub>dyn</sub>	C <sub>0</sub>			
HGH15CA	28	4,3	9,5	34	26	4,0	26	39,4	61,4	10,00	4,85	5,3	M4 × 5	6,0	7,95	7,7	14.700	23.470	0,18		
HGH20CA	30	4,6	12,0	44	32	6,0	36	50,5	77,5	12,25	6,00	12,0	M5 × 6	8,0	6,00	6,0	27.100	36.680	0,30		
HGH25CA	40	5,5	12,5	48	35	6,5	35	58,0	84,0	15,70	6,00	12,0	M6 × 8	8,0	10,00	9,0	34.900	52.820	0,51		

## HGW-M

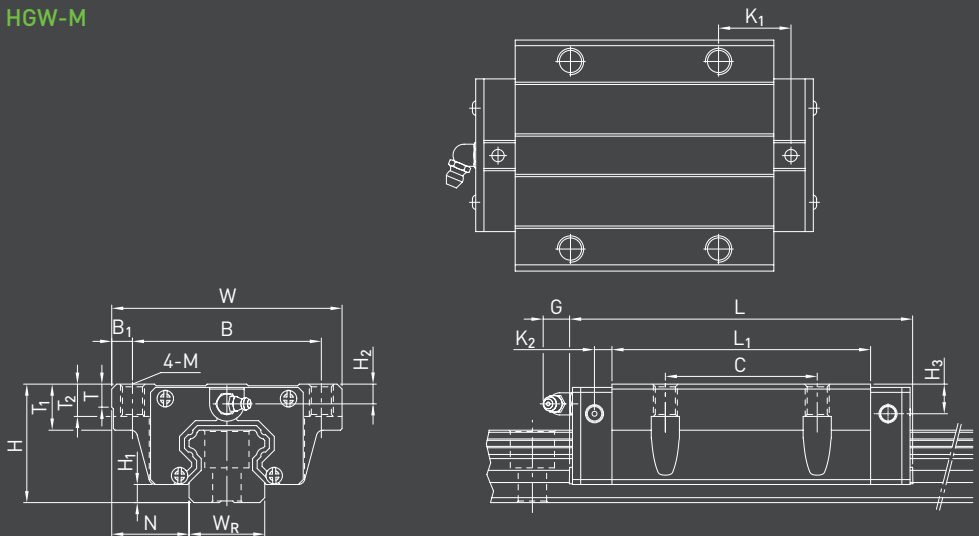


Table 1.2 Dimensions of the block

Series / Size	Installation dimensions [mm]			Dimensions of the block [mm]															Load ratings [N]		Weight [kg]
	H	H <sub>1</sub>	N	W	B	B <sub>1</sub>	C	L <sub>1</sub>	L	K <sub>1</sub>	K <sub>2</sub>	M	G	T	T <sub>1</sub>	T <sub>2</sub>	H <sub>2</sub>	H <sub>3</sub>	C <sub>dyn</sub>	C <sub>0</sub>	
HGW15CC	24	4,3	16,0	47	38	4,5	30	39,4	61,4	8,00	4,85	M5	5,3	6,0	8,9	7,0	3,95	3,7	14.700	23.470	0,17
HGW20CC	30	4,6	21,5	63	53	5,0	40	50,5	77,5	10,25	6,00	M6	12,0	8,0	10,0	9,5	6,00	6,0	16.840	22.570	0,28
HGW25CC	36	5,5	23,5	70	57	6,5	45	58,0	84,0	10,70	6,00	M8	12,0	8,0	14,0	10,0	6,00	5,0	26.930	36.560	0,42